

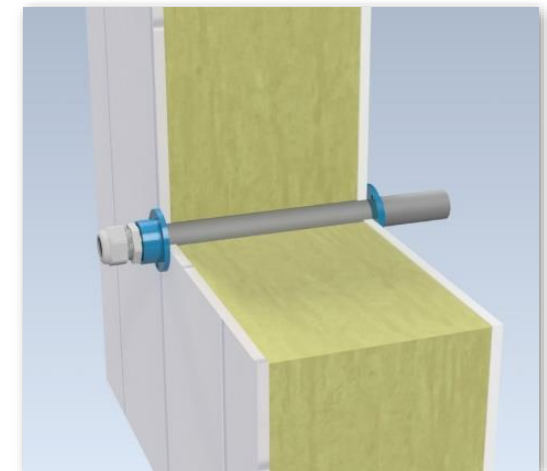
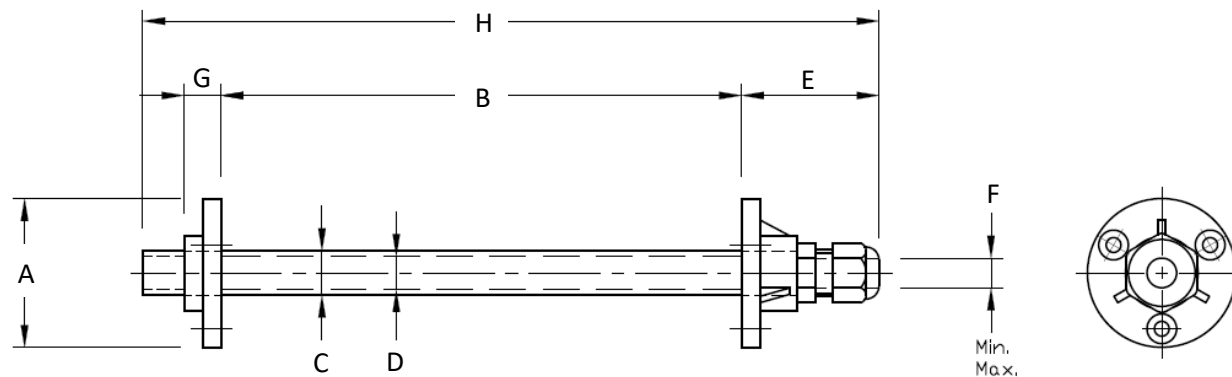
CONNECTORS WITH CABLE GLAND - SPECIFICATIONS

V 24-01

Barcode	Type	Dimensions (mm)							
		A	B*1	C	D	E	F	G	H*1
9DRV100002	Connector PG 7 with cable gland	40	220	12	7	37	3-6	10	267
9DRV100008	Connector PG 9 with cable gland	40	220	12	9	53	5-8	10	283
9DRV100004	Connector PG 13,5 with cable gland	50	220	19	13,5	49	8-12	10	279
9DRV100005	Connector PG 16 with cable gland	50	220	19	16	51	9-14	10	281
9DRV100009	Connector M 32 with cable gland	63	220	32	28	64	13-21	12	296
9DRV100010	Connector M 40 with cable gland	63	220	32	28	80	16-24	12	312



*1 - Upon request a different lengths are available. Standard length can be shortened to required dimensions on-site.





THE ART OF STORAGE

Oosterblokker 17-A
1696 BA Oosterblokker
The Netherlands

+31 229 21 21 54

sales@besseling-group.com

www.besseling-group.com

